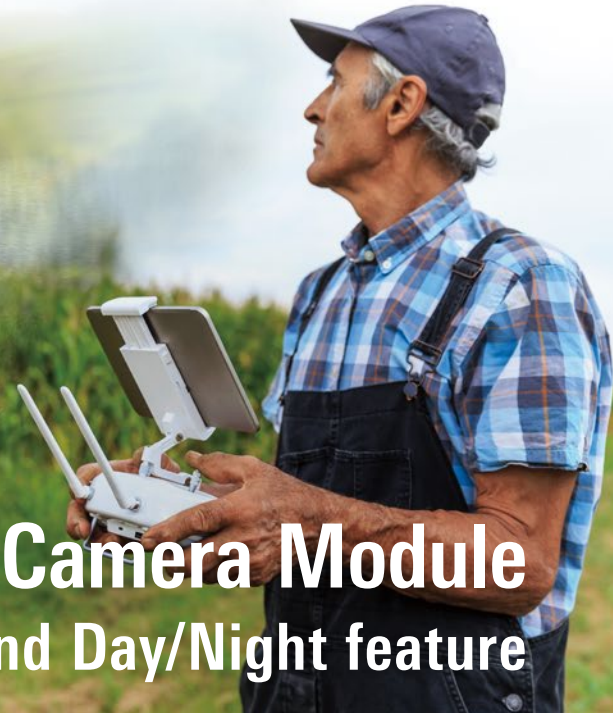
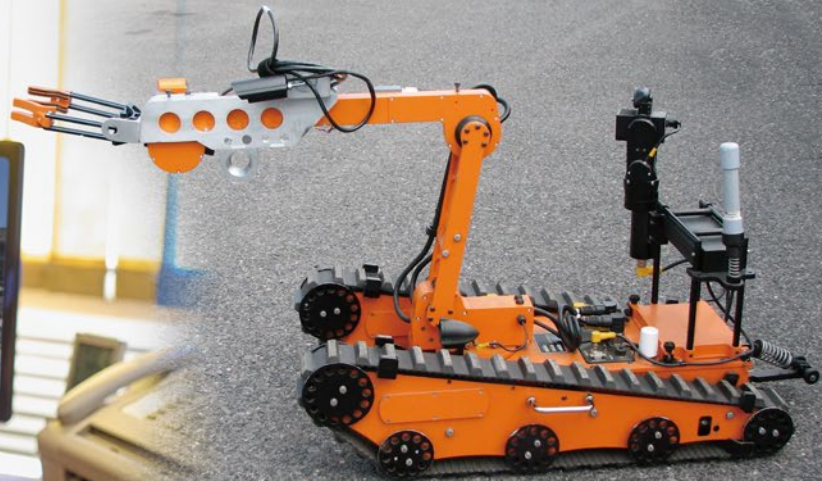


TAMRON



Compact and Lightweight Camera Module Equipped with 10x optical zoom and Day/Night feature



Model: MP3010M-EV

■ Compact and Lightweight Body

total length 59mm and weight 70g

■ 10x optical zoom lens

industry-leading compact zoom lens

■ Day/Night feature

for 24/7 surveillance

Compact and lightweight design by utilizing industry-leading compact zoom lens

Camera module for various applications

MP3010M-EV Main specifications

Image sensor	Sony's CMOS image sensor with STARVIS™ technology *1
Pixel output (H x V)	1920x1080 or 1280x720
Signal system(HD)	1080p/60, 1080p/59.94, 1080p/50, 1080p/30, 1080p/29.97, 1080p/25, 720p/60, 720p/59.94, 720p/50, 720p/30, 720p/29.97, 720p/25
Signal system(SD)	NTSC/PAL
Minimum illumination	0.1 lx (1/30sec, F/1.8, 50%, Color, Typical) 0.025 lx (1/30sec, F/1.8, 50%, B&W, Typical)
S/N	More than 50dB
Gain	Auto/Manual
Shutter speed	1/1~1/10,000 sec
Sync system	Internal
Backlight compensation	ON/OFF
White balance	ATW1(Narrow), ATW2(Wide), INDOOR, OUTDOOR, One push, Manual
Lens	10x optical zoom f=3.3~33mm F/1.8~F/3.4
Digital Zoom	Up to 16x

Focusing system	Auto, Manual, One push, AF sensitivity
Minimum object distance (wide to tele)	Visible light: 10mm(wide)~800mm(tele) 850nm: 10mm(wide)~1200mm(tele)
Horizontal viewing angle (wide to tele)	59.2°(wide)~6.7°(tele) *2
Day/Night	ON/OFF (ICR switching)
EIS	OFF/ON
Horizontal resolution	Center : 800TV lines (Typical)
Video output (HD)	LVDS: digital Y/Pb/Pr 4:2:2 HDMI*3: digital Y/Pb/Pr 4:2:2 (HDMI Type D)
Video output (SD)	CVBS 1.0V(p-p, 75Ω)
Camera control	VISCA*4
Power requirement	DC 8~12±10%
Power consumption	Approx.2.5W (Approx.4.4W in the zoom and focus operation)
Operating temperature	-5~+60°C
Storage temperature	-40~+60°C
Operating humidity	20%~80% (no condensation)
Storage humidity	20%~90% (no condensation)
Dimensions (W x H x D)	33 x 43 x 59 mm
Weight	about 70g

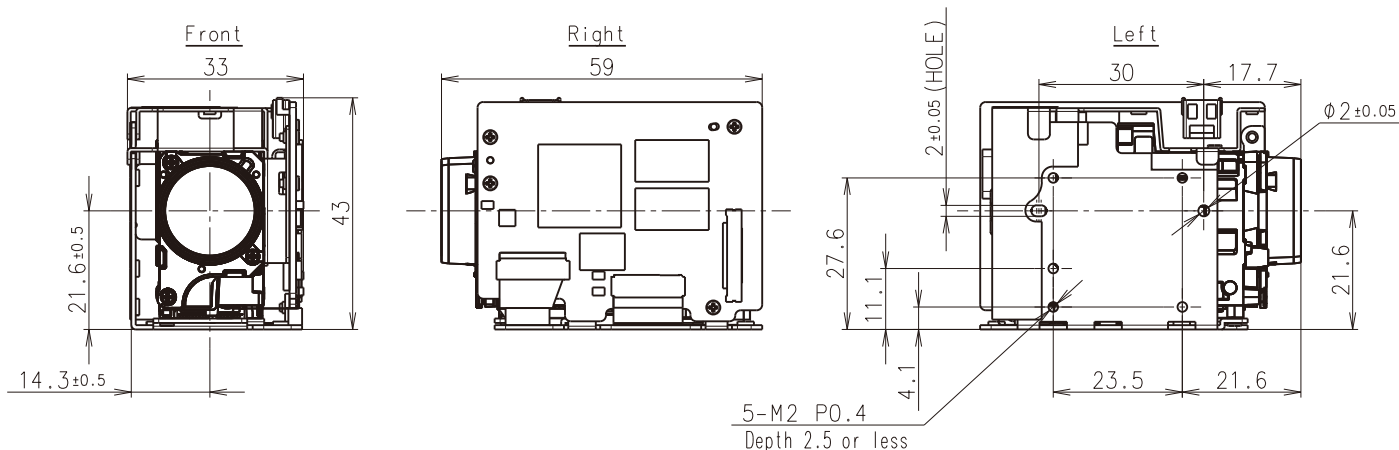
*1 STARVIS is trademark of Sony Group corporation or its affiliates.

*2 Except when EIS is operated

*3 The Adopted Trademarks HDMI, HDMI High-Definition Multimedia Interface, and the HDMI Logo are trademarks or registered trademarks of HDMI Licensing Administrator, Inc. in the United States and other countries.

*4 VISCA is trademark of Sony Group corporation or its affiliates.

[Dimensions : unit mm]



TAMRON CO., LTD. <http://www.tamron.biz/>

1385, Hasunuma, Minuma-ku, Saitama-shi, Saitama 337-8556 JAPAN
Tel: +81-48-684-9129 Fax: +81-48-683-8594

TAMRON USA, INC. <http://www.tamron-usa.com>

10 Austin Boulevard, Commack, NY 11725, USA Tel: +1-631-858-8400 Fax: +1-631-543-3963

TAMRON Europe GmbH. <http://www.tamron.de>

Robert Bosch-Str. 9, 50769 Cologne, GERMANY Tel: +49-221-669544-0 Fax: +49-221-669544-404

TAMRON INDUSTRIES (HONG KONG) LIMITED <http://www.tamron.com.hk>

Unit 908, 9/F, Elite Centre, 22 Hung To Road, Kwun Tong, Kowloon, Hong Kong
Tel: +852-2721-7797 Fax: +852-2620-1631

TAMRON (Russia) LLC. <http://www.tamron.ru>

Unikon Business Center 2F No. 4, Plekhanova Street 4a, Moscow, 11123, Russian Federation
Tel: +7-495-970-0112 Fax: +7-495-970-0112

TAMRON OPTICAL (SHANGHAI) CO., LTD. <http://www.tamron.com.cn>

Room 1707, Ruijin Building, No.205, Maoming South Road, Shanghai, 200020, CHINA
Tel: +86-21-5102-8880

TAMRON INDIA PRIVATE LIMITED <http://www.tamron.in>

805, 806&807, 8th floor, Vatika City Point, MG Road, Gurgaon-122001, Haryana, India
Tel: +91-124-41-168-12 Fax: +91-124-40-822-72



Management on Quality and Environment :

Tamron is certified with international standards: ISO 9001 for quality and ISO14001 for environmental management at its Head Office, domestic sales offices, China plant as well as production facilities in Aomori Factory, Japan, and is fully committed to striving for continued and sustainable improvement at all levels and facets of its business operations.

* The content of this catalog is current as of August 2022.

* Product specifications, appearance and performance are subject to change without notice.

NL-2208-EN-0500