

HD-SDI / EX-SDI(V1.0/ V2.0/ V2.1/ V3.0(TBD)) / CVBS / TVI / AVI / LVDS

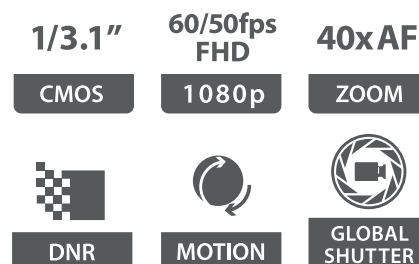
ATC- HZ8940T-LTA

FHD 2MP High Resolution
 40x Global Shutter Zoom Camera



features

- 1/3.1" Progressive Scan Global Shutter CMOS
- 480x AF Zoom
(40x optical zoom, 12x digital zoom)
- 1080p 60/50/30/25fps
720p 60/50/30/25fps, 1080i 60/50fps
- Mechanical Day&Night
- True WDR
- 2D/3D DNR, Defog, DIS
- UART RS232-TTL (PELCO-D/P/C, VISCA)

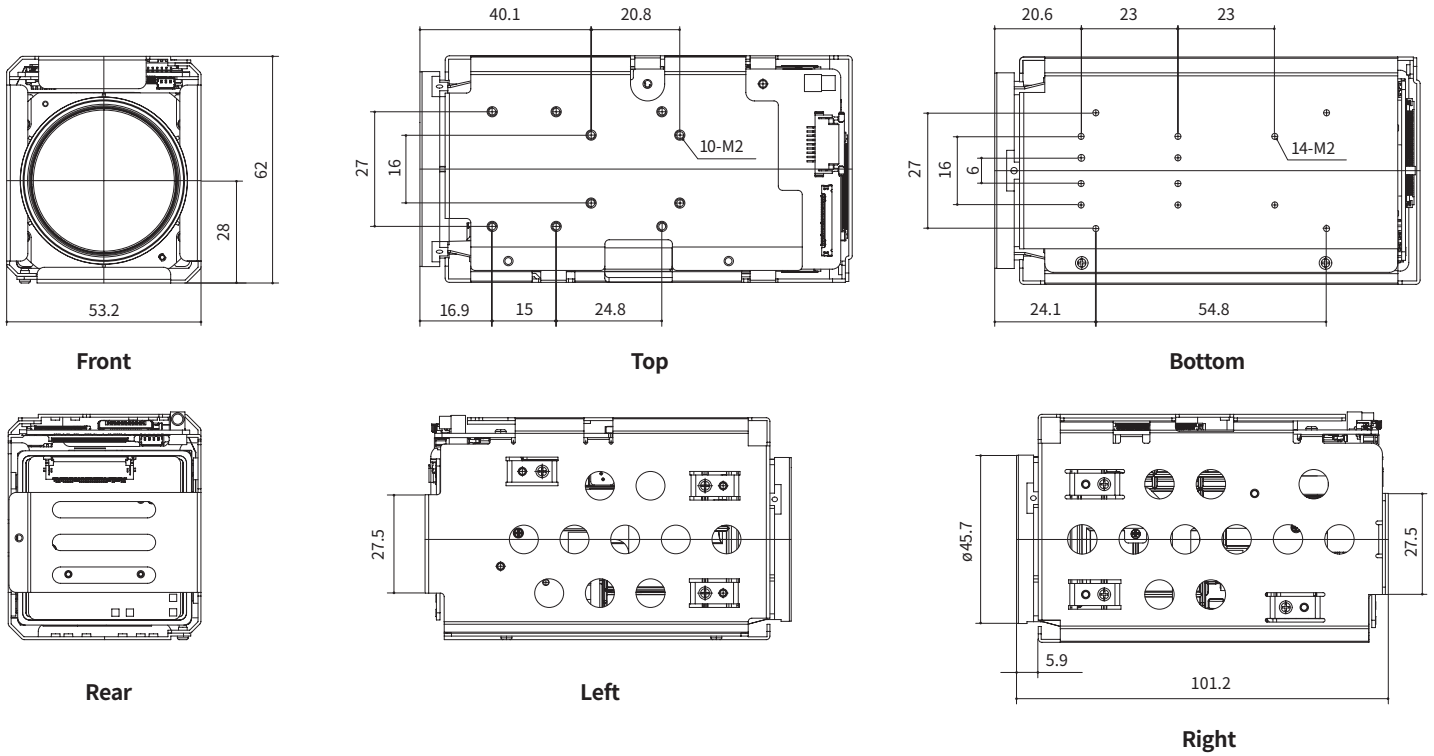


Specifications

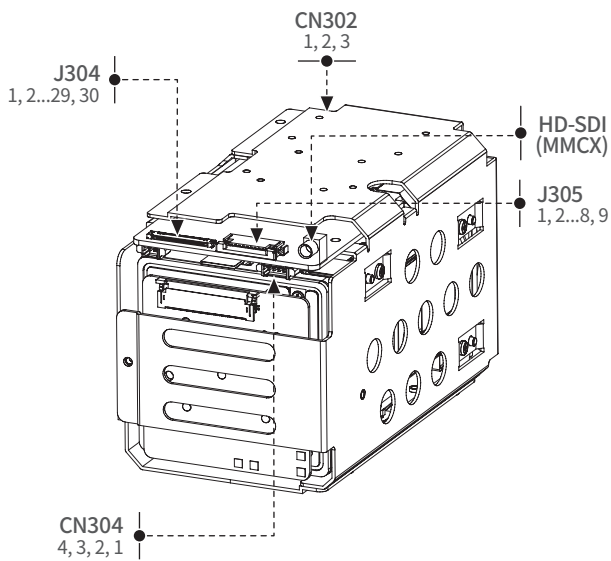
Image Sensor		1/3.1" Progressive Scan Global Shutter CMOS
Effective Pixels		3.2MP 2064(H) x 1552(V)
Video Output Mode	Common	HD-SDI/EX-SDI(V1.0)/EX-SDI(V2.0)/EX-SDI(V2.1)/EX-SDI(V3.0(TBD))/CVBS
	AVI/TVI/LVDS	TVI/AVI/LVDS
Max. Video Resolution		HD-SDI/LVDS/EX-SDI:1080p@60(50fps)
Synchronization system		Internal
Min. Illumination		Day : 0.03Lux(F1.6), Night : 0.01Lux(F1.6/ ICR on) Sens-Up off, AGC48dB
S/N Rate		More than 55dB(AGC off, Sens-Up off)
Lens	Type	AF Optical zoom lens(DC Iris), IR Corrective
	Focal Length	f=4.25mm~170mm
	F-value	F1.6(W)~4.95(T)
	Angle of View	H 56.33°(W)~1.59°(T), V 43.59°(W)~1.21°(T)
Zoom ratio		Optical 40x / Digital 12x
Focus Min. Working Distance		0.01m(Wide)/3.0m(Tele)~∞
Focus Control		Auto/Interval/One Shot/Manual/Presets
AE Mode		Auto/Iris Priority/Shutter Priority/Manual
Brightness		1~20
Manual Shutter		1/1, 1/2, 1/4(3), 1/8(6), 1/15(12), 1/30(25), 1/60(50)~1/30000
Manual Iris		F1.6~F19, Close
Sense-up		Off~32fields
ETC		Slow AE response
D&N Mode		Auto/Color(Day)/B&W(Night)/EXT-H/EXT-L
White Balance		AUTO/Indoor/Outdoor/One push/ATW/Manual
Image Freeze		Off/On
Image Flip		Off/Horizontal/Vertical/H+V(180° Flip)
Privacy Mask Zone		8 Zones/14 mask color selectable

Digital Image Stabilization	Yes	
Motion Detection	4 Zones	
D-WDR	Off/Low/Middle/High	
WDR	WDR(Low/Middle/High)	
BLC	Off/0~10, Area selectable	
HLC	Off/0~20, Color selectable	
AGC	Max.48dB	
Sharpness	Adjustable(0~15)	
3D-DNR	OFF/Auto(Level:0~2)/Manual(Gain:0~255/THLD:0~255/FK:0~255)	
2D-DNR	OFF/Auto(Level:0~2)/Manual(Gain:0~255/THLD:0~255)	
Defog	Off/On(Low/Middle/High)	
Presets Position	192 position Presets(Zoom, Focus), 16Memory Presets, Custom Preset	
Language	English, Russian, Spanish, German, French, Portuguese, Chinese, Japanese	
UART	Remote	RS232 TTL +5.0V(+3.3V compatible)
	Protocol	VISCA, PELCO-D/P/C:Auto Detection
	Baud rate	2400/4800/9600(default) /19200/38400/57600/115200bps
UTC	TVI-UTC / AVI-UTC	
Supply Voltage	12VDC(9V to 15VDC)	
Power Consumption	Max.7.2W / Non-working zoom&focus 3.5W	
Dimension(mm)	53.2x62x101.2mm	
Weight	Approx.315g	
Operating Temperature	-10°C~+50°C, Humidity(Less than 90%)	
Storage Temperature	-20°C~+60°C, Humidity(Less than 90%)	
Remark		

Dimension



Pin Assignment



Jack	SDI Output connector / MMCX Jack Connector
------	--

Pin no.	CN302(External D&N) / JST:SM03B-SRSS-TB
1	Ext_D&N: External D&N Input
2	GND
3	+3.3V out(For Sensor)

Pin no.	CN304(TVI/AVI) / Molex : 53261-0471
1	POWER IN: +12VDC
2	GND
3	TVI/AVI Output (Select On OSD)
4	GND(TVI/AVI)

Pin no.	J305(TVI/AVI) / Molex: 52207-0933 / 52207-0985
1	Default GND (Optional: RS485_EN or AD key)
2	TVI/AVI Output (Select On OSD)
3	GND
4	CVBS Output
5	GND
6	POWER IN : +12VDC
7	GND
8	TXD: CMOS 5.0V Send Data (Compatible 3.3V)
9	RXD: CMOS 5.0V Read Data (Compatible 3.3V)

Pin no.	J304(LVDS) / KEL Co.USL00-30L-C
1	TX_OUT3+
2	TX_OUT3-
3	TX_CLKOUT+
4	TX_CLKOUT-
5	TX_OUT2+
6	TX_OUT2-
7	TX_OUT1+
8	TX_OUT1-
9	TX_OUT0+
10	TX_OUT0-
11	GND
12	TXD: CMOS 5.0V Send Data (Compatible 3.3V)
13	RXD: CMOS 5.0V Read Data (Compatible 3.3V)
14	+12VDC
15	+12VDC
16	+12VDC
17	+12VDC
18	+12VDC
19	GND
20	GND
21	TX_OUT7+ : Single out mode (open)
22	TX_OUT7- : Single out mode(open)
23	TX_OUT6+ : Single out mode(open)
24	TX_OUT6- :Single out mode(open)
25	CVBS Output
26	RESET_IN :Reset - Low(GND), Normal(1.8V)
27	TX_OUT5+ : Single out mode (open)
28	TX_OUT5- : Single out mode (open)
29	TX_OUT4+ : Single out mode (open)
30	TX_OUT4- : Single out mode (open)